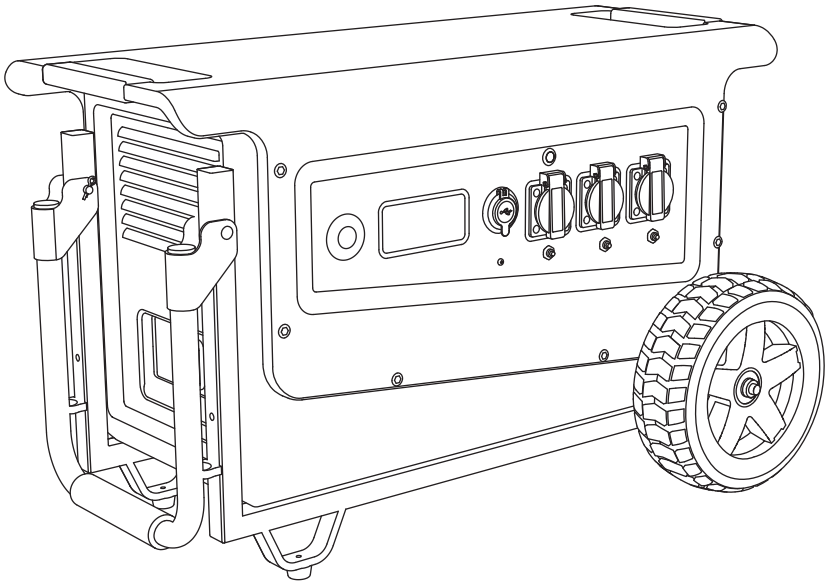




3600W Outdoor Power Station



W3

User Manual

Contents

Disclaimer	01-02
Product List	03
Product Description	04-06
Specifications	04
Overview	05
LCD Screen	06
Instructions for Use	07-09
Power ON/OFF	07
Frequency Switching	08
AC Output Protection	09
Recharge Methods	10-14
AC Charging	10
Fast&Slow Charging Switch	11
Solar Charging	12
Extra Battery Charging	13
Gasoline Inverter Generator Charging	14
EPS(Emergency Power Supply)	15
Error Code&Trouble Shooting	16-17
FAQ	18

Disclaimer

Before using this product, please read this user manual carefully to ensure that you fully understand the product and can use it correctly. After reading this user manual, please keep it in a safe place for future reference. Improper use of this product may cause serious injury to yourself or others, or result in product damage and property loss. By using this product, you are deemed to have understood, recognized and accepted all the terms and contents of this document. The Company shall not be responsible for any damages caused by the user's failure to use this product in accordance with this user manual.

In accordance with laws and regulations, the company reserves the right of final interpretation of this document and all documents related to this product. This document is subject to change, update, revision or termination without notice.

Please visit our website for the latest product information.

- The company shall not be held responsible for any damage caused by force majeure (e.g. fire, typhoon, flood, earthquake) or use under other abnormal circumstances by the customer.

Transportation

1. Do not subject this product to severe impacts, vibrations, or drops.
2. Do not carry this product onto a plane.

Environment

3. Keep the product away from water resources, heat resources, metal objects and chemical substances and dust environment.
4. Place the product on a stable and flat surface.
5. Store the product in a dry, well-ventilated place.
6. Follow the environment temperature requirements specified in the user manual.
7. Do not use the product in an environment with strong static electricity or magnetic fields.
8. Keep the product out of reach of children and pets.

Operation

9. Do not damage, repair, modify or disassemble this product by yourself.
10. Do not use any unofficial or not recommended components or accessories.
11. Remember to turn on the product before connecting your devices.

Disclaimer

- 12 . Always disconnecting your devices before turning off the product.
- 13 . Do not put fingers or hands into the product.
- 14 . Do not insert wires or other metal objects into the product to prevent short circuits.
- 15 . Do not use the product to power medical equipment and precision instrument.
- 16 . Do not stack any heavy objects on the product.
- 17 . Risk of Electric Shock: Never use the product to power tools to cut or access live parts or live wirings, or materials that may contain live parts or live wirings inside, such as building walls, etc.

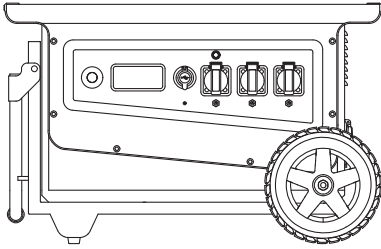
Emergency

- 18 . If the product falls into water or gets wet, stop using it immediately and place the product in a secure, waterproof, and well-ventilated area, then contact customer service for further support.
- 19 . If the product is smoking or catches fire, it is recommended to use the fire extinguishers.
- 20 . If the product is overturned and severely damaged, wear insulating gloves to turn it off, and then place the product in an open area far from flammable materials and people, and dispose of it according to local laws and regulations.

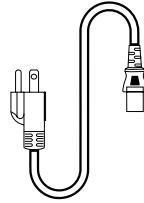
Recycling and Disposal

- 21 . The product with severe damage, malfunction, or depleted battery life should be properly disposed of or recycled.
- 22 . The product contains batteries. Please dispose of the product following local laws and regulations for battery disposal and recycling. Do not dispose of it with household waste to avoid environmental pollution and safety hazards.
- 23 . If possible, ensure the battery is completely discharged (to 0% capacity) before disposing of the product. If not, refrain from placing the battery directly into a battery recycling box. Instead, contact a professional battery recycling company for proper handling.

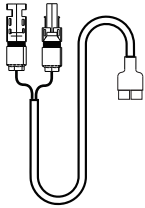
Product List



Power Station*1



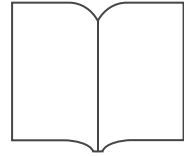
AC Charging Cable *1



MC4 to Anderson
Cable*1



Warranty Card*1



User Manual*1

Product Description

Specifications

Output

AC Output

220V~240V 50Hz/60Hz
3600W Max (Surge: 7000W)
Bypass Mode: 3600W

USB-A Output

5V3A; 9V2A; 12V1.5A 18W Max

USB-C Output

5V3A; 7V2.4A; 9V1.8A; 12V1.5A 18W Max

Input

AC Input

190V~250V 50Hz/60Hz
13A Max 2500W Max

Solar Input

12V~148V MPPT: 18V~140V 15A Max 2100W Max

General Info

Battery Capacity

3072Wh(51.2V/60Ah)

Battery Type

LiFePO4

Working Temperature

32°F~104°F (0°C~40°C)

Storage Temperature

-4°F~140°F (-20°C~60°C)

Dimension

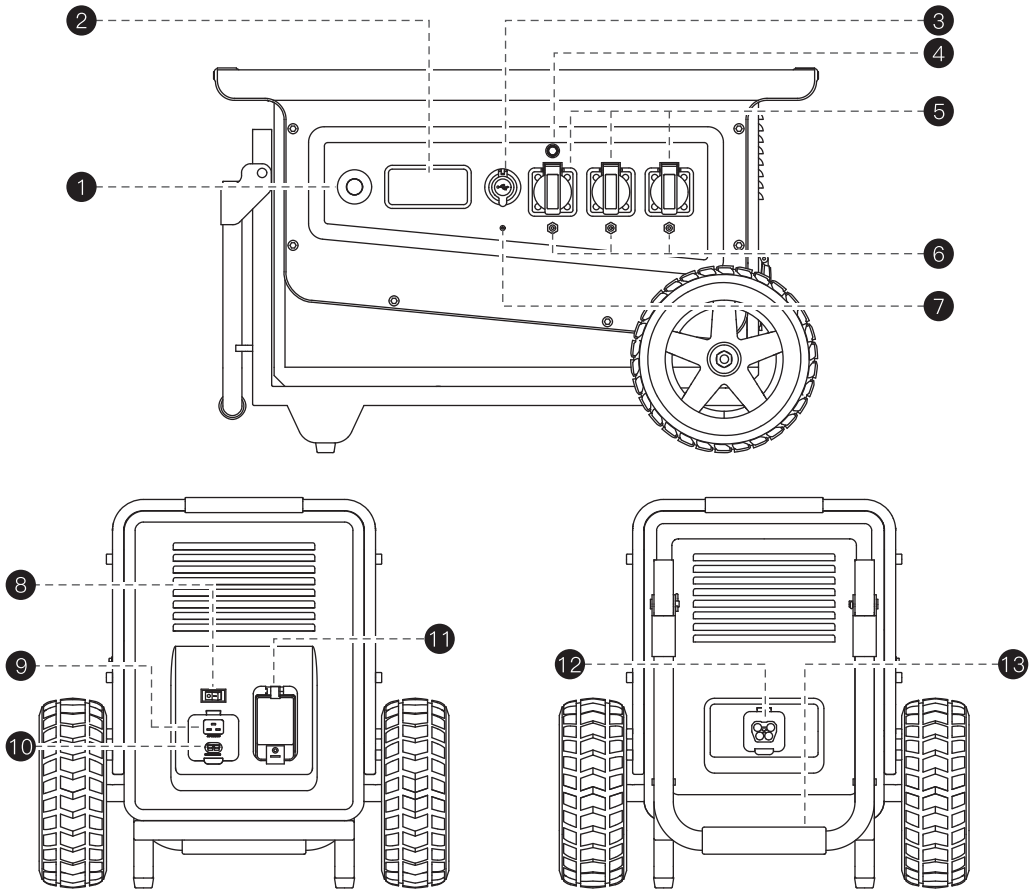
Approx. 33.6*20.2*19.8in (852.5*512*502mm)

Net Weight

Approx. 121.5lb (55.1kg)

Product Description

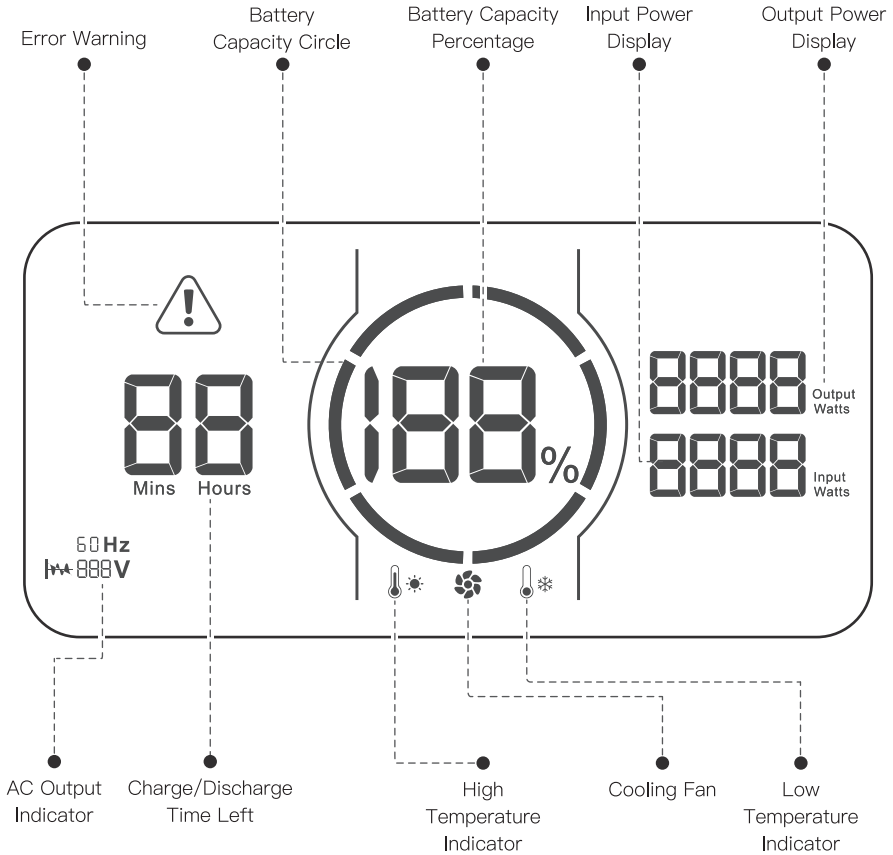
Overview



1.	Main Power Button	6.	AC Output Protector	11.	AC Input Circuit Breaker Protection
2.	LCD Screen	7.	Grounding Protection	12.	Extra Battery Port
3.	USB-A & USB-C Output Port	8.	Fast&Slow Charging Switch	13.	Handle
4.	AC Output Power Button	9.	AC Input Port		
5.	AC Output Socket	10.	Solar Input Port		

Product Description

LCD Screen

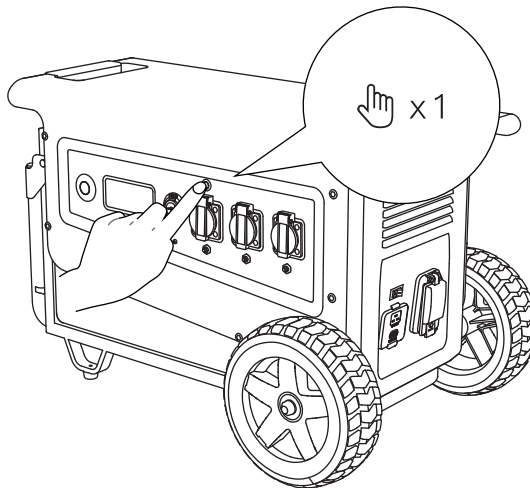
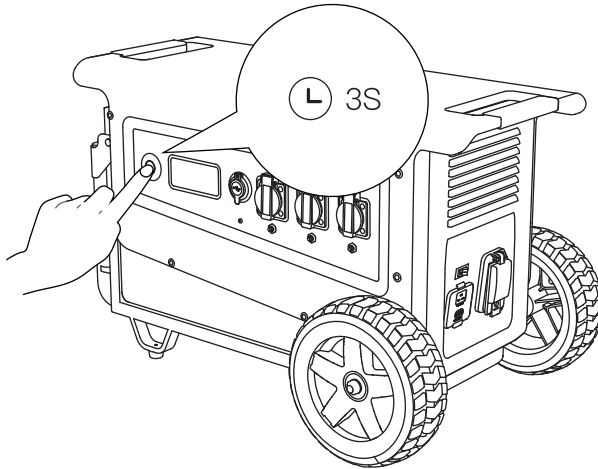


When the power station is charging and discharging simultaneously, it displays the remaining charge time if the input power exceeds output power; Otherwise, it shows a fixed number "99".

Instructions for Use

Power ON/OFF

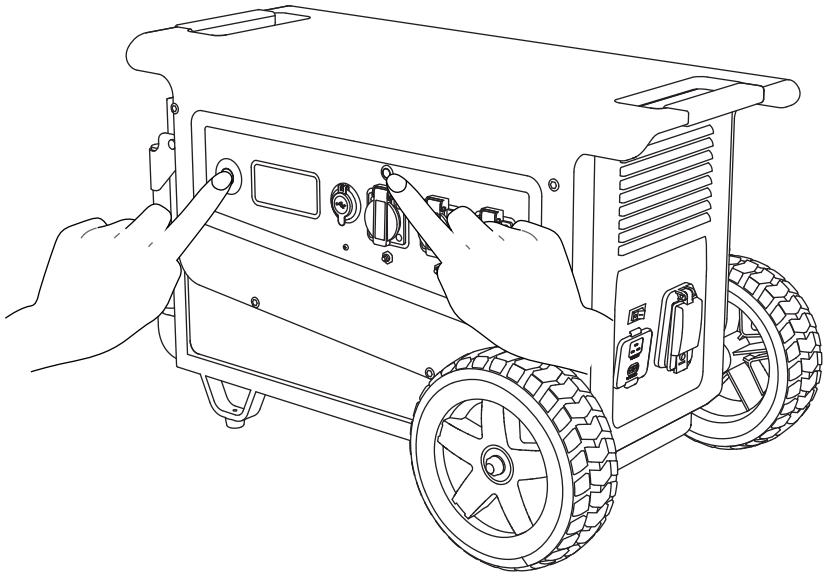
- Press and hold the main power button for 3 seconds to turn the main power on or off.
- When the main power is on, press AC output power button to turn the AC power on or off.
- When the main power is on, short press the main power button to turn the screen on or off.



Instructions for Use

Frequency Switching

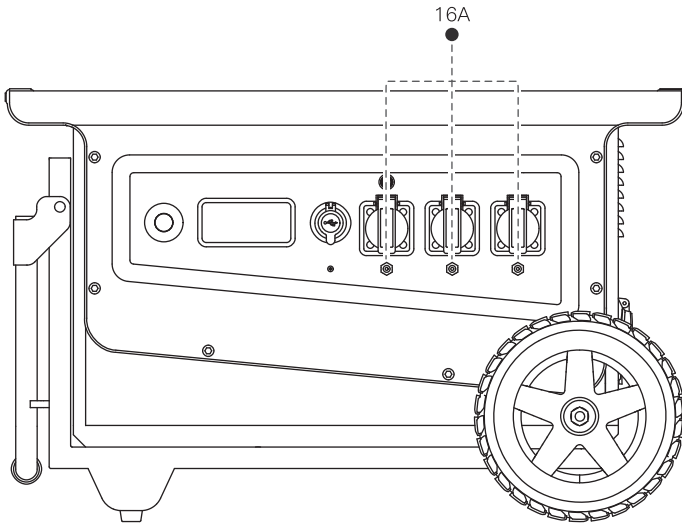
- a) Turn off the AC output power.
- b) Simultaneously press and hold AC output power button and main power button for 3–5 seconds, till the frequency sign flashes on the screen.
- c) Press AC output power button to choose frequency “50” or “60”.
- d) Long press the main power to confirm, then the abbreviation “SUC” will flicker, indicating a successful setting.
- e) Long press the main power button to exit the setting mode.



Instructions for Use

AC Output Protection

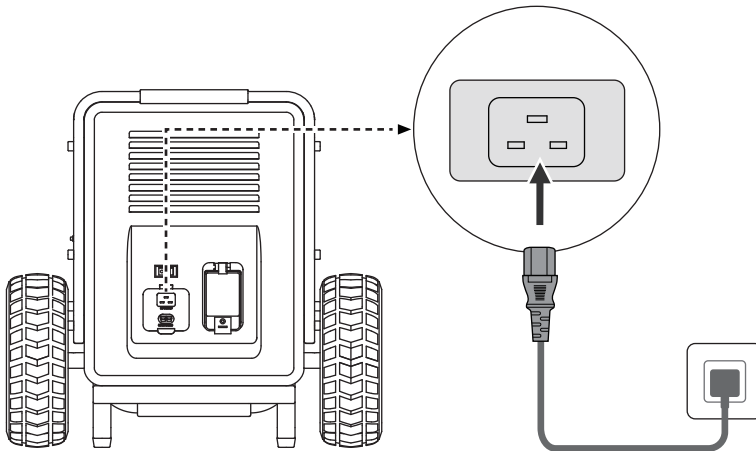
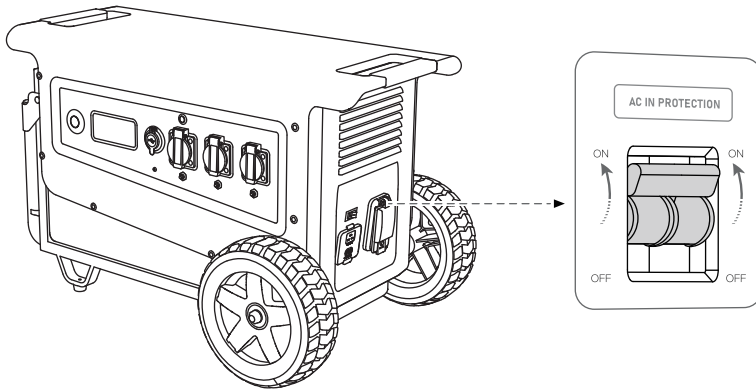
- When AC output exceeds 16A, the AC output overload protection button will pop out.
- Please disconnect all the connections for safety reason, and ensure that the current is lower than 16A. Then press the button back down to resume using.



Recharge Methods

⚡ AC Charging

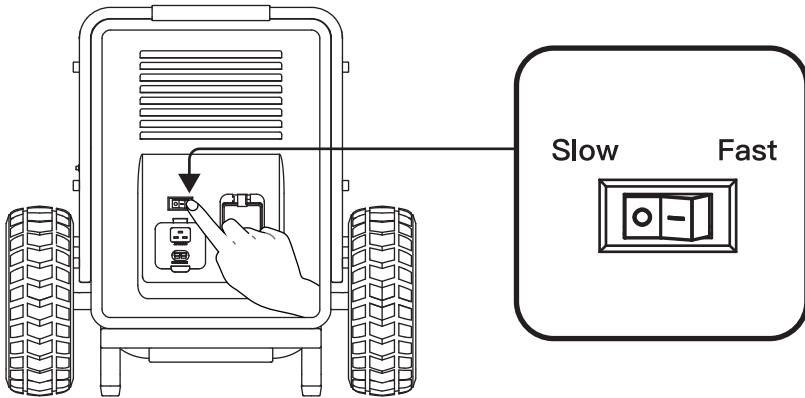
- Flip up AC IN breaker before using the product.
- Use AC charging cable to connect the power station to an AC wall outlet.
- When AC input exceeds 32A, the AC IN breaker will flip down automatically.
- Please disconnect all the connections for safety reason, and ensure that the current is lower than 32A. Then flip up the AC IN to resume using.



Instructions for Use

Fast&Slow Charging Switch

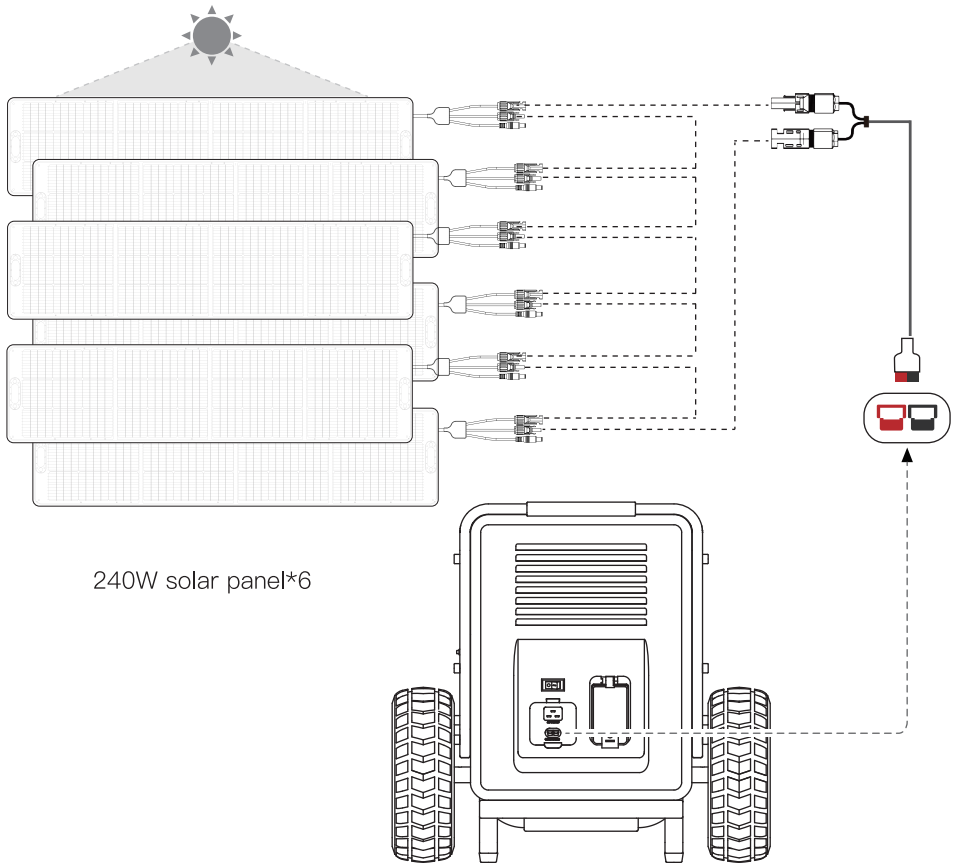
- Do not switch charging speed when the power station is charged or AC output power is on.
- Press fast to enable maximum charging speed at 2500W.
- Press slow to switch to slow charging speed at 1250W.



Recharge Methods

⚡ Solar Charging

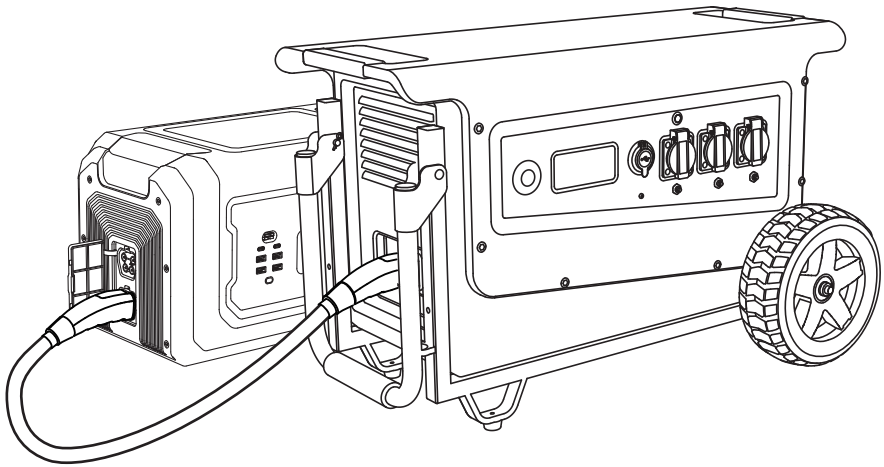
- Use MC4 to Anderson charging cable to connect solar panels to the power station.
- Connect 6*240W solar panels at most in series to get maximum power.
- Make sure the solar panels meet the following requirements:
OCV: 148V; Current: 15A; Max Power: 2100W



Recharge Methods

⚡ Extra Battery Charging

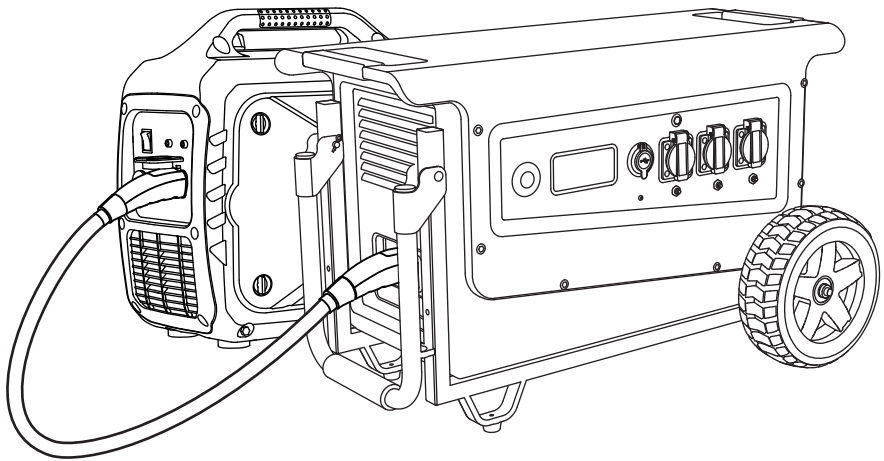
- a) Do not connect or disconnect the extra battery when the power station and the extra battery are on.
- b) Use battery expansion cable to connect the extra battery to the power station.



Recharge Methods

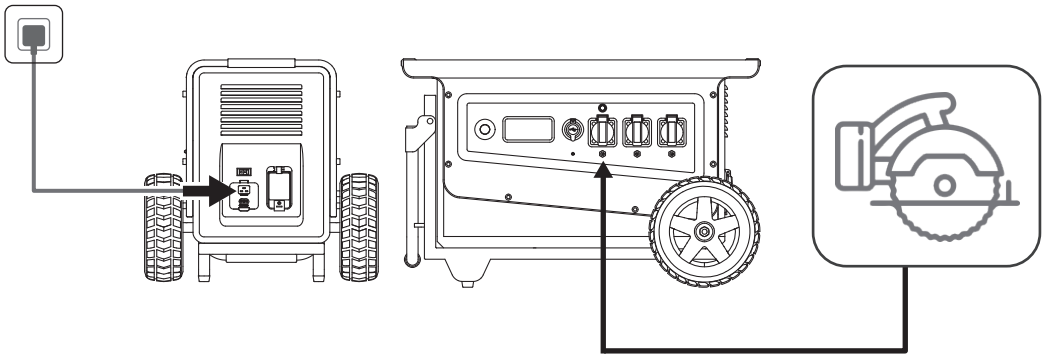
⚡ Gasoline Inverter Generator Charging

- a) Do not connect or disconnect the generator when the power station and the generator are on.
- b) Use battery expansion cable to connect the generator and the power station, and refer to the generator's user manual before using the generator.
- c) When detecting the power station only have 20% capacity left, the generator will starting charging the power automatically; And it will stop charging when the power station is charged to 90%.









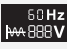





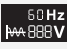


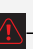















EPS(Emergency Power Supply)















- a) EPS function is enabled by default with a 20ms switching when grid power is cut off.
- b) Flip up AC IN breaker.
- c) Charge the power station from power grid and connect the device to AC output port as shown in the picture, then press AC output power button on.
- d) Please do not connect the power station to equipment requiring 0ms uninterrupted power supply. Please test and make sure the device is compatible with EPS function.
- e) The total input and output power should lower than 3600W. Otherwise, the power station will shut down in 1 minute.



Error Code & Trouble Shooting

Error Code	Status	Cause	Solution
E000	 +  +  flashing, no output	Short circuit of AC output	Press the AC output power button to restore.
E001	 +  +  flashing, no output	Overload of AC output	Press the AC output power button to restore.
E002	 +  +  flashing, no output	Battery voltage of inverter input is low	Charge the device in time and restart the corresponding function button to restore.
E003	 +  +  flashing, no output	Over voltage and under voltage of AC output	Press the AC output power button to restore.
E004	 +  +  flashing, no input	Abnormal AC input frequency	Automatically restores after frequency returning to normal.
E005	 +  flashing, no output	High and low bus voltage	Press the AC output power button to restore.
E006	 +  +  +  flashing, no output	Over temperature of Inverter	Turn off output power and rest the device to restore.
E020	 +  flashing	BMS communication failure.	Contact after sales service team for further support.
E021	 +  flashing	Over voltage of single battery cell.	Stop charging and discharge until the battery voltage returns to normal.
E022	 +  flashing, no output	Low voltage of single battery cell.	Charge the device until the voltage returns to normal.
E023	 +  flashing	Battery total voltage too high.	Stop charging and start discharging until the battery voltage returns to normal.
E024	 +  flashing, no output	Battery total voltage too low.	Charge the device until the voltage returns to normal.

Error Code & Trouble Shooting

Error Code	Status	Cause	Solution
E025	 +  +  flashing, no output	High temperature of battery.	The device will automatically return to normal when the temperature returns to normal.
E026	 +  +  flashing, no output	Low temperature of battery.	The device will automatically return to normal when the temperature returns to normal.
E028	 +  +  flashing, no input	Charge over temperature	Charge the device after the temperature returning to normal.
E029	 +  +  flashing, no input	Over temperature of MOSFET.	The device will automatically return to normal when the temperature returns to normal.
E030	 +  flashing	Connect the wrong expansion battery.	Connect correct extra battery to restore.

1.How to clean the product?

Please use a dry, soft, clean cloth or paper towel to gently wipe the product.

2.How to store the product?

Store it in a dry, well-ventilated place at room temperature. The recommended storage temperature is $-4^{\circ}\text{F}\sim 140^{\circ}\text{F}$ ($-20^{\circ}\text{C}\sim 60^{\circ}\text{C}$) and keep it away from water resources, heat resources, metal objects and chemical substances.

3.How to maintain the product?

- (1) Charge it to around 60% capacity and turn off the product before storing it.
- (2) For long-term storage, it is recommended to fully discharge and then fully charge the battery(0%–100%) once every 3 months.
- (3) And the warranty will be voided if the product has not been charged or discharged in 6 months.

