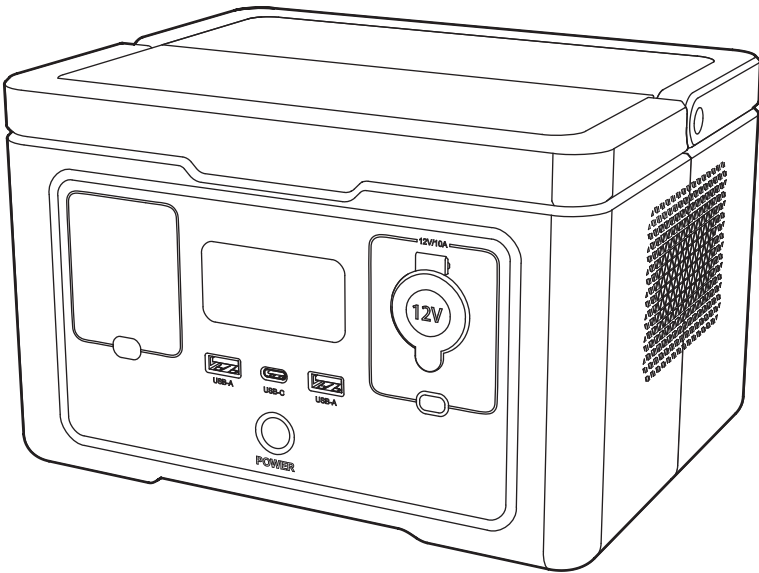




600 W Portable Power Station



S03 **Plus**

User Manual

Contents

Disclaimer	01-02
Product List	03
Product Description	04-06
Specifications	04
Overview	05
LCD Screen	06
Instructions for Use	07-08
Power Your Loads	07
AC Input Circuit Protector	08
Recharge Methods	09-10
AC Charging	09
Solar Charging	10
EPS Function	11
Error Code&Trouble Shooting	12-13
FAQ	14
Certification and Compliance	15

Disclaimer

Disclaimer

Before using this product, please read this user manual carefully to ensure that you fully understand the product and can use it correctly. After reading this user manual, please keep it in a safe place for future reference. Improper use of this product may cause serious injury to yourself or others, or result in product damage and property loss. By using this product, you are deemed to have understood, recognized and accepted all the terms and contents of this document. The Company shall not be responsible for any damages caused by the user's failure to use this product in accordance with this user manual.

In accordance with laws and regulations, the company reserves the right of final interpretation of this document and all documents related to this product. This document is subject to change, update, revision or termination without notice.

Please visit our website for the latest product information.

- The company shall not be held responsible for any damage caused by force majeure (e.g. fire, typhoon, flood, earthquake) or use under other abnormal circumstances by the customer.

Transportation

1. Do not subject this product to severe impacts, vibrations, or drops.
2. Do not carry this product onto a plane.

Environment

3. Keep the product away from water resources, heat resources, metal objects and chemical substances and dust environment.
4. Place the product on a stable and flat surface.
5. Store the product in a dry, well-ventilated place.
6. Follow the environment temperature requirements specified in the user manual.
7. Do not use the product in an environment with strong static electricity or magnetic fields.
8. Keep the product out of reach of children and pets.

Operation

9. Do not damage, repair, modify or disassemble this product by yourself.
10. Do not use any unofficial or not recommended components or accessories.
11. Remember to turn on the product before connecting your devices.

Disclaimer

- 12 .Always disconnecting your devices before turning off the product.
- 13 .Do not put fingers or hands into the product.
- 14 .Do not insert wires or other metal objects into the product to prevent short circuits.
- 15 .Do not use the product to power medical equipment and precision instrument.
- 16 .Do not stack any heavy objects on the product.
- 17 .Risk of Electric Shock: Never use the product to power tools to cut or access live parts or live wirings, or materials that may contain live parts or live wirings inside, such as building walls, etc.

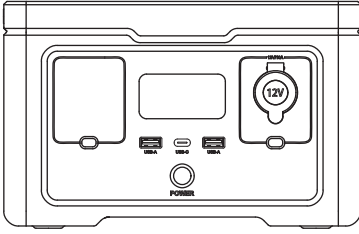
Emergency

- 18 .If the product falls into water or gets wet, stop using it immediately and place the product in a secure, waterproof, and well-ventilated area, then contact customer service for further support.
- 19 .If the product is smoking or catches fire, it is recommended to use the fire extinguishers.
- 20 .If the product is overturned and severely damaged, wear insulating gloves to turn it off, and then place the product in an open area far from flammable materials and people, and dispose of it according to local laws and regulations.

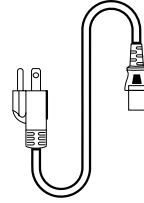
Recycling and Disposal

- 21 .The product with severe damage, malfunction, or depleted battery life should be properly disposed of or recycled.
- 22 .The product contains batteries. Please dispose of the product following local laws and regulations for battery disposal and recycling. Do not dispose of it with household waste to avoid environmental pollution and safety hazards.
- 23 .If possible, ensure the battery is completely discharged (to 0% capacity) before disposing of the product. If not, refrain from placing the battery directly into a battery recycling box. Instead, contact a professional battery recycling company for proper handling.

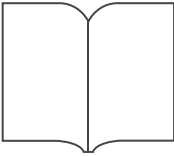
Product List



Power Station*1



AC Charging Cable *1



User Manual*1



Warranty Card*1



Fuse*1

Product Description

Specifications

Output

AC Output	220V~240V 50Hz/60Hz 600W Max (Surge: 1200W) Bypass Mode: 600W	100V~120V 50Hz/60Hz 600W Max (Surge: 1200W) Bypass Mode: 600W
Cigarette Lighter Output	12.8V 10A	
USB-A Output	5V3A; 9V2A; 12V1.5A 18W Max	
USB-C Output	5V3A; 9V2A; 12V1.5A 18W Max	

Input

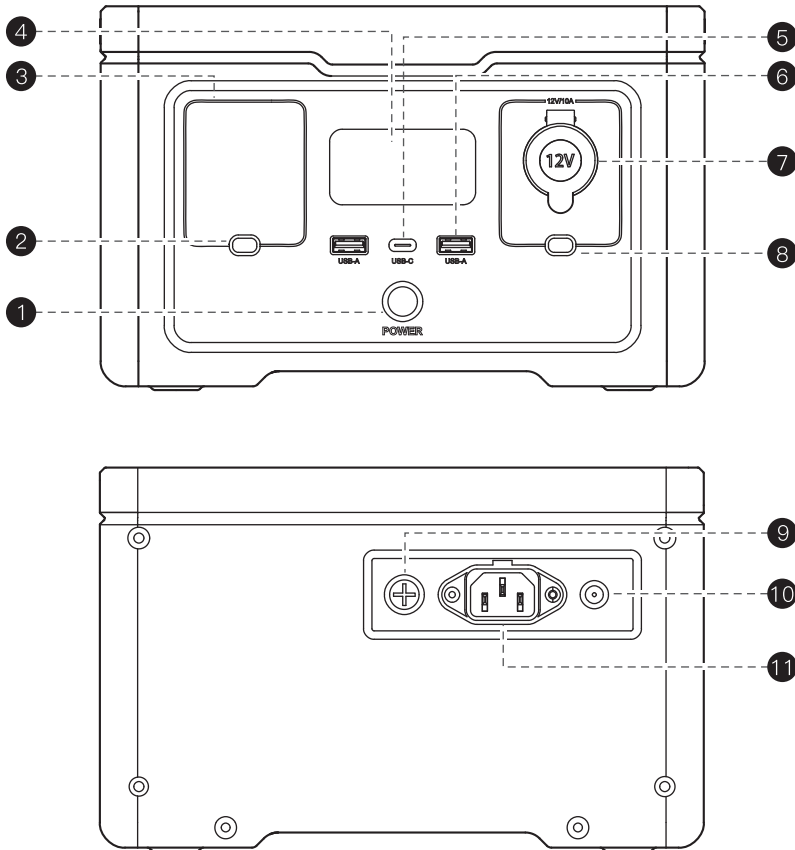
AC Input	190V~250V 50Hz/60Hz 1.6A Max 300W Max	90V~140V 50Hz/60Hz 3A Max 300W Max
Solar Input	15V~35V MPPT: 15V~33V 12A Max 240W Max	

General Info

Battery Capacity	256Wh (12.8V/20Ah)
Battery Type	LiFePO4
Working Temperature	32°F~104°F (0°C~40°C)
Storage Temperature	-4°F~140°F (-20°C~60°C)
Dimension	Approx. 9.45*7.28*6.0in (240*185*152.5mm)
Net Weight	8.16lb (3.7kg)

Product Description

Overview



1. Main Power Button

2. AC Output Power Button

3. AC Output Socket

4. LCD Screen

5. USB-C Output Port

6. USB-A Output Port

7. Cigarette Lighter Output Port

8. DC Output Power Button

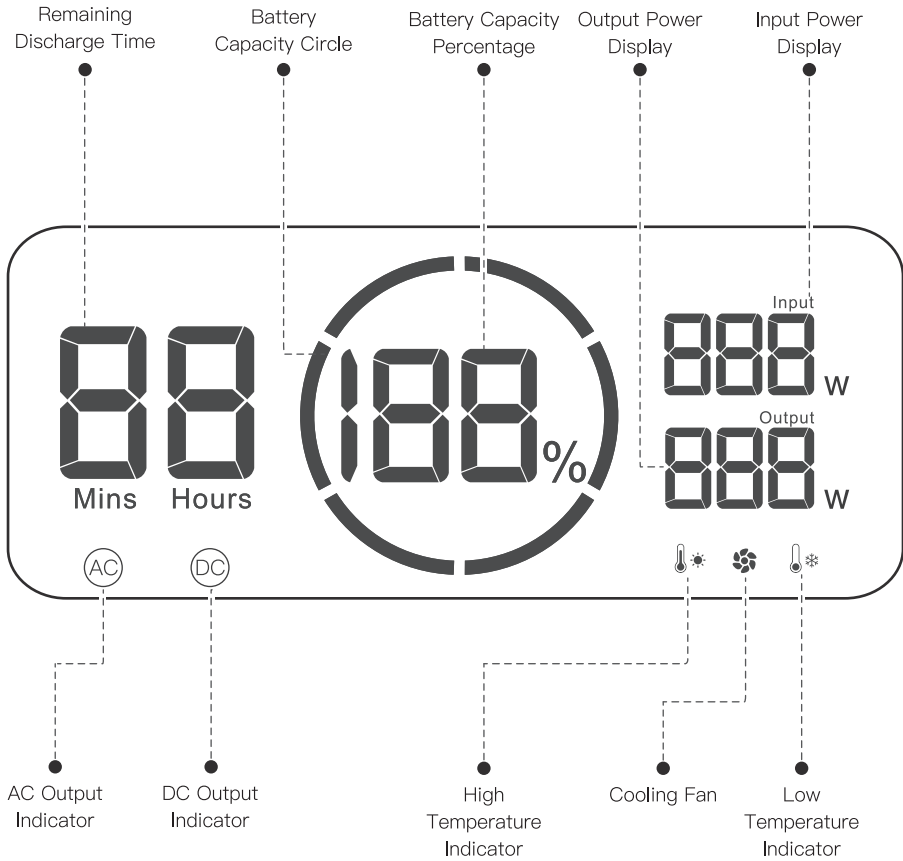
9. Fuse

10. Solar Input

11. AC Input Port

Product Description

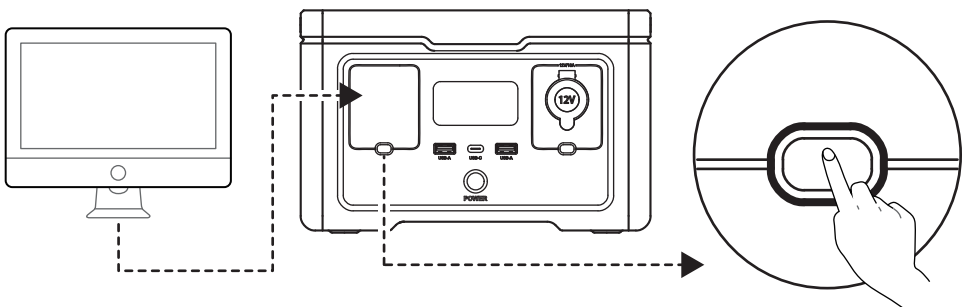
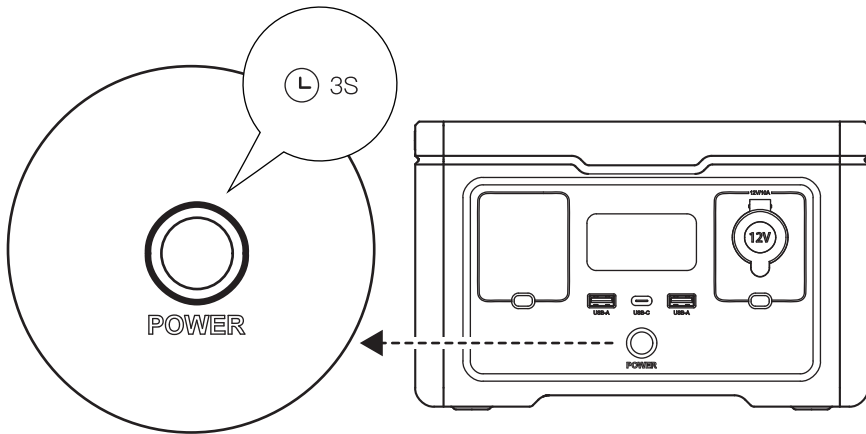
LCD Screen



Instructions for Use

Power Your Loads

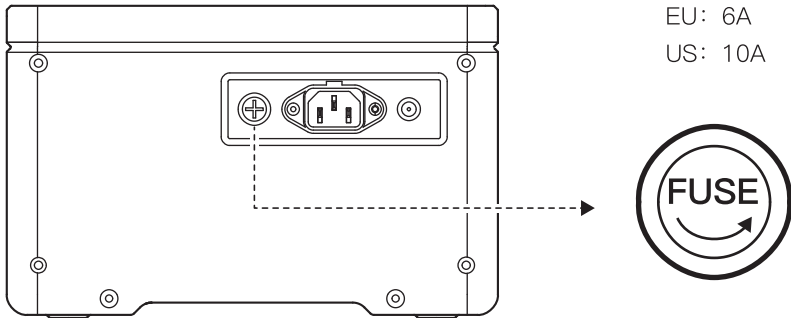
- Press and hold the main power button for 3 seconds to turn on the main power.
- Short press AC/DC output power button to turn on AC/DC output power.
- Connect your loads to the power station and start charging.
- After finishing charging, please disconnecting your loads before turning off AC/DC power.
- Press and hold the main power button for 3 seconds to turn off the main power.



Instructions for Use

AC Input Circuit Protector

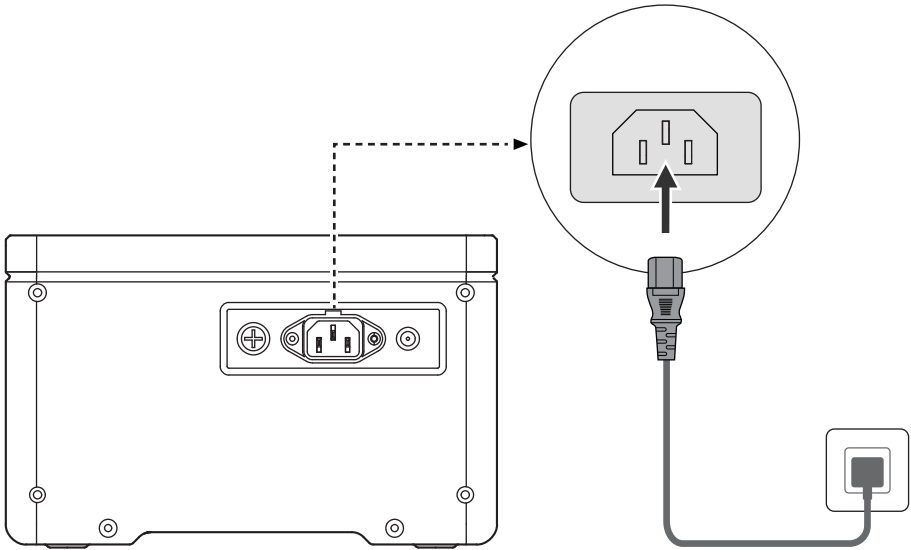
- a) When the AC input exceeds 6A/10A, the protector will blow.
- b) Please disconnect all the connections for safety reason, and ensure that the input current is lower than 6A/10A.
- c) Unscrew the protector and take it out. Then, screw in a spare one.
- d) Wrap the melted fuse in paper or tape before throwing.



Recharge Methods

⚡ AC Charging

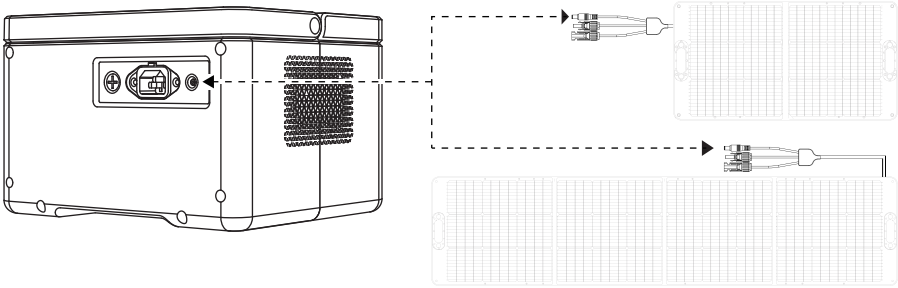
Use AC charging cable to connect the power station to an AC wall outlet.



Recharge Methods

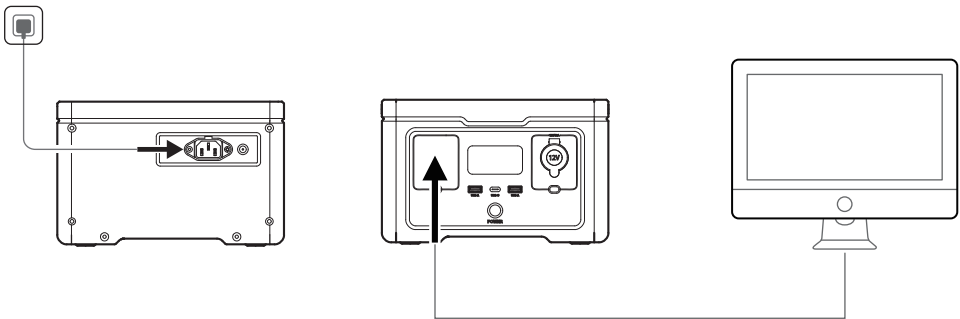
⚡ Solar Charging

- a) Connect 1*100W solar panel or 1*240W solar panel to the power station.
- b) Make sure the solar panels meet the following requirements:
OCV: 35V; Current: 12A; Max Power: 240W




EPS Function


- a) EPS function is enabled by default with a 20ms switching when grid power is cut off.
- b) Charge the power station from power grid and connect the device to AC output port as shown in the picture, then press AC output power button on.
- c) Please do not connect the power station to equipment requiring 0ms uninterrupted power supply.
- d) The total input and output power should lower than 600W. Otherwise, the power station will shut down in 1 minute.



Error Code & Trouble Shooting

Error Code	Status	Cause	Solution
E00	 flashing, no output	Short circuit of AC output.	Press the AC output power button to restore.
E01	 flashing, no output	Overload of AC/DC output.	Press the AC/DC output power button to restore.
E02	flashing, no output	Low battery voltage protection.	Charge the device in time and restart the corresponding function button to restore.
E03	 flashing, no output	Over voltage and under voltage of AC output.	Press the AC output power button to restore.
E04	 flashing, no input	Abnormal AC input frequency	Automatically restores after frequency returning to normal.
E05	 flashing, no output	High bus voltage or overcurrent.	Press the AC output power button to restore.
E06	 +  flashing, no output	Over temperature of Inverter.	Turn off output power and rest the device to restore.
E07	 +  flashing, no output	Under temperature of Inverter.	Turn off output power and rest the device to restore.
E08	 flashing, no output	Overload of the cigarette lighter output port.	Press the DC output power button to restore.
E09	flashing, no AC output. DC output is normal.	System overload, AC output is over 600VA or the total AC and DC output is over 600W.	Reduce AC loads and press the AC power button to restore.
E10	flashing, no output	Hardware is abnormal.	Press the main power button to restart.
E11	flashing, no output	Overload or short circuit of the USB-A port.	Press the DC output power button to restore.

Error Code & Trouble Shooting

Error Code	Status	Cause	Solution
E012	 flashing, no output	Short circuit of the cigarette lighter output port.	Press the DC output power button to restore.
	Input power fluctuates from 0~50W and capacity circle rotates as usual.	Charge over temperature or in low temperature.	The device will automatically return to normal when the temperature returns to normal.
	No input power.	High solar input is over 35V.	The device will automatically return to normal when the voltage returns to normal.

FAQ

1.How to clean the product?

Please use a dry, soft, clean cloth or paper towel to gently wipe the product.

2.How to store the product?

Store it in a dry, well-ventilated place at room temperature. The recommended storage temperature is $-4^{\circ}\text{F}\sim 140^{\circ}\text{F}$ ($-20^{\circ}\text{C}\sim 60^{\circ}\text{C}$) and keep it away from water resources, heat resources, metal objects and chemical substances.

3.How to maintain the product?

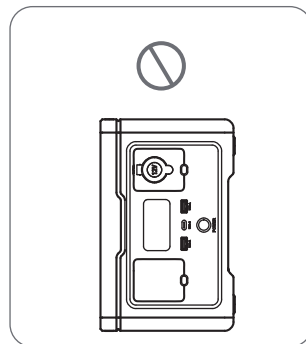
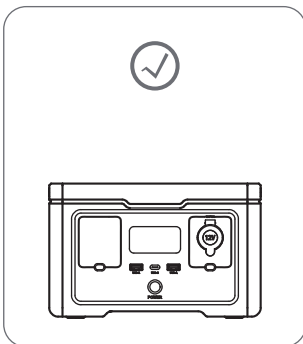
- (1) Charge it to around 60% capacity and turn off the product before storing it.
- (2) For long-term storage, it is recommended to fully discharge and then fully charge the battery(0%–100%) once every 3 months.
- (3) And the warranty will be voided if the product has not been charged or discharged in 6 months.

4.Can this product be brought on board a plane?

No, this product cannot be brought on board a plane due to aviation regulations for lithium-based batteries.

5.How to place the product?

It is advised to place the product horizontally.



Certification and Compliance

FCC Warning

This device complies with part 15 of the FCC Rules. Operation is subject to the following two conditions: (1) This device may not cause harmful interference, and (2) this device must accept any interference received, including interference that may cause undesired operation. Any changes or modifications not expressly approved by the party responsible for compliance could void the user's authority to operate the equipment.

Notice

This equipment has been tested and found to comply with the limits for a Class B digital device, pursuant to part 15 of the FCC Rules. These limits are designed to provide reasonable protection against harmful interference in a residential installation. This equipment generates uses and can radiate radio frequency energy and, if not installed and used in accordance with the instructions, may cause harmful interference to radio communications. However, there is no guarantee that interference will not occur in a particular installation. If this equipment does cause harmful interference to radio or television reception, which can be determined by turning the equipment off and on, the user is encouraged to try to correct the interference by one or more of the following

measures

- (1) Reorient or relocate the receiving antenna.
- (2) Increase the separation between the equipment and receiver.
- (3) Connect the equipment into an outlet on a circuit different from that to which the receiver is connected.
- (4) Consult the dealer or an experienced radio/TV technician for help.

This equipment complies with FCC radiation exposure limits set forth for an uncontrolled environment.

This equipment should be installed and operated with minimum distance 20cm between the radiator & your body.

