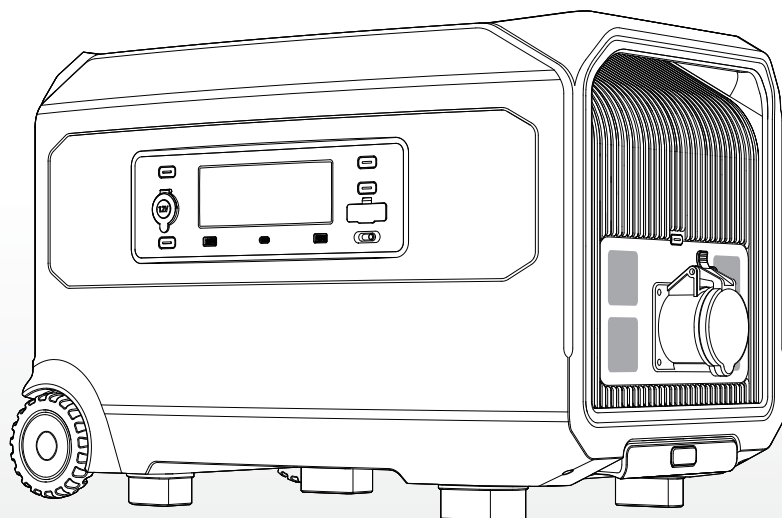


User Manual



HP 6000

6000W Portable Power Station

Contents

Product List	01
Product Description	02-04
Specifications	02
Overview	03
LCD Screen	04
Instructions for Use	05-06
Power Your Loads	05
XT90 Output 12V/24V Slide Switch	06
Recharge Methods	07-11
AC Charging	07
AC Input Over Current Protection	08
AC Input Speed Switch	08
Solar Charging	09
Cigarette Lighter Charging	10
Extra Battery Charging	10
Gasoline Inverter Generator Charging	11
EPS(Emergency Power Supply)	12
Error Code & Trouble Shooting	13-14
FAQ	15

Disclaimer

Disclaimer

Before using this product, please read this user manual carefully to ensure that you fully understand the product and can use it correctly. After reading this user manual, please keep it in a safe place for future reference. Improper use of this product may cause serious injury to yourself or others, or result in product damage and property loss. By using this product, you are deemed to have understood, recognized and accepted all the terms and contents of this document. The Company shall not be responsible for any damages caused by the user's failure to use this product in accordance with this user manual.

In accordance with laws and regulations, the company reserves the right of final interpretation of this document and all documents related to this product. This document is subject to change, update, revision or termination without notice.

Please visit our website for the latest product information.

- The company shall not be held responsible for any damage caused by force majeure (e.g. fire, typhoon, flood, earthquake) or use under other abnormal circumstances by the customer.

Transportation

1. Do not subject this product to severe impacts, vibrations, or drops.
2. Do not carry this product onto a plane.

Environment

3. Keep the product away from water resources, heat resources, metal objects and chemical substances and dust environment.
4. Place the product on a stable and flat surface.
5. Store the product in a dry, well-ventilated place.
6. Follow the environment temperature requirements specified in the user manual.
7. Do not use the product in an environment with strong static electricity or magnetic fields.
8. Keep the product out of reach of children and pets.

Operation

9. Do not damage, repair, modify or disassemble this product by yourself.
10. Do not use any unofficial or not recommended components or accessories.
11. Remember to turn on the product before connecting your devices.

Disclaimer

12. Always disconnecting your devices before turning off the product.
13. Do not put fingers or hands into the product.
14. Do not insert wires or other metal objects into the product to prevent short circuits.
15. Do not use the product to power medical equipment and precision instrument.
16. Do not stack any heavy objects on the product.
17. Risk of Electric Shock: Never use the product to power tools to cut or access live parts or live wirings, or materials that may contain live parts or live wirings inside, such as building walls, etc.

Emergency

18. If the product falls into water or gets wet, stop using it immediately and place the product in a secure, waterproof, and well-ventilated area, then contact customer service for further support.
19. If the product is smoking or catches fire, it is recommended to use the fire extinguishers.
20. If the product is overturned and severely damaged, wear insulating gloves to turn it off, and then place the product in an open area far from flammable materials and people, and dispose of it according to local laws and regulations.

Recycling and Disposal

21. The product with severe damage, malfunction, or depleted battery life should be properly disposed of or recycled.
22. The product contains batteries. Please dispose of the product following local laws and regulations for battery disposal and recycling. Do not dispose of it with household waste to avoid environmental pollution and safety hazards.
23. If possible, ensure the battery is completely discharged (to 0% capacity) before disposing of the product. If not, refrain from placing the battery directly into a battery recycling box. Instead, contact a professional battery recycling company for proper handling.

Product List

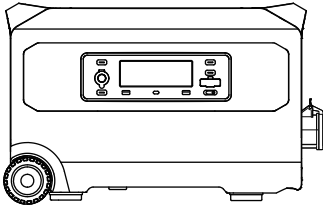
⚡ APP

You can connect this product via APP to view information, control the device and personalize settings.

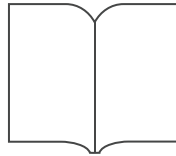


[Scan the QR code to download our Smart Control APP.](#)

What's in the Box



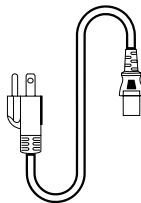
Power Station*1



User Manual*1

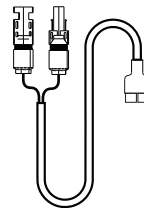


Warranty Card*1



AC Charging Cable

*1



MC4 to Anderson

Cable *1

Product Description

⚡ Specifications

Output

AC Output	230V 50Hz/60Hz 6000W Max
	Boost Mode:7200W Surge: 9000W
	Bypass Mode: 3600W
Cigarette Lighter Output	12V10A 120W
USB-A Output	5V3A; 9V2A; 12V1.5A 18W Max
USB-C Output	5V3A; 9V3A; 12V3A; 15V3A; 20V5A; 28V5A 140W Max
XT90 Output	12V30A/24V20A

Input

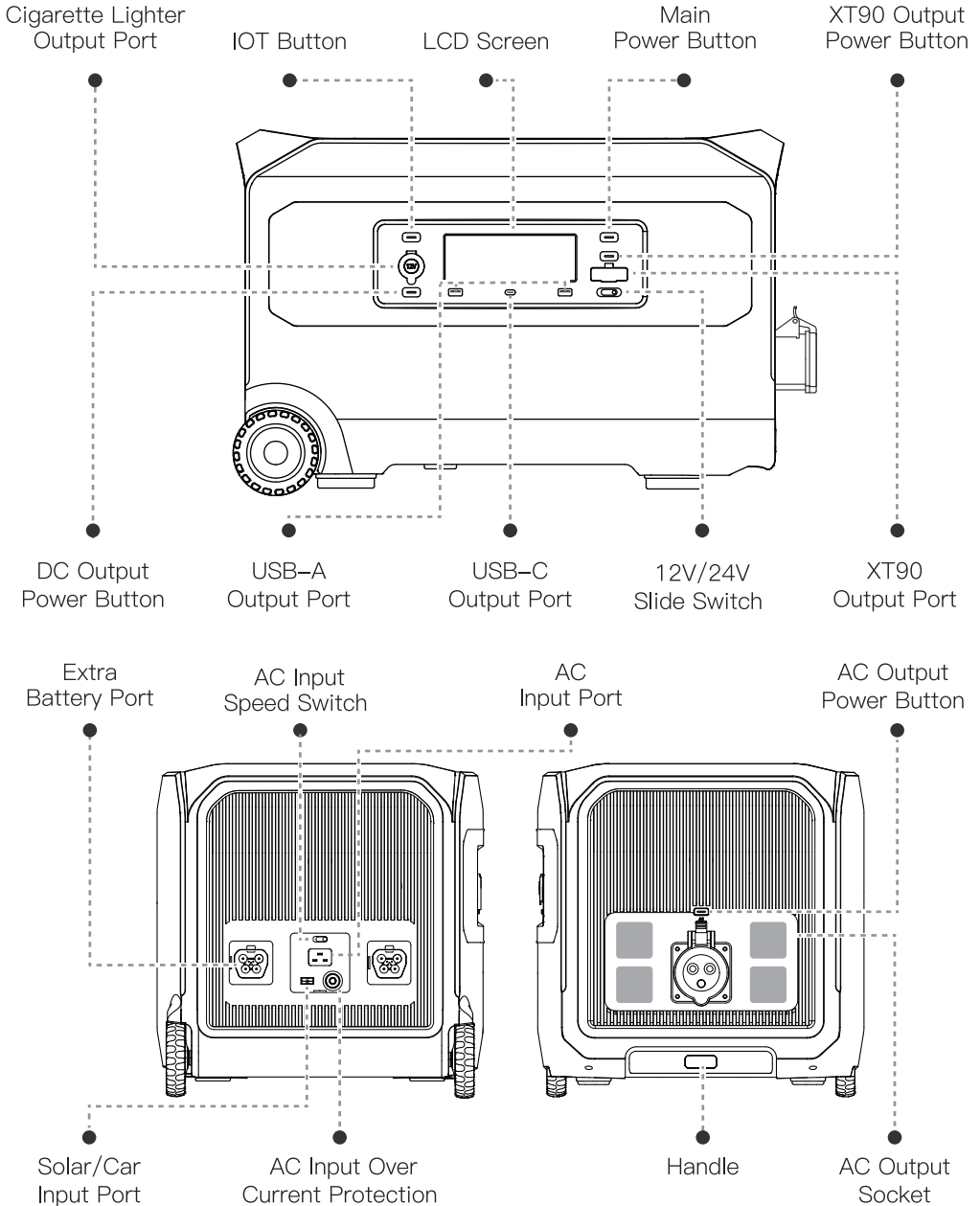
AC Input	90V~140V 50Hz/60Hz 20A Max 1800W Max 200V~240V 50Hz/60Hz 20A Max 3600W Max
Solar Input	12V~140V MPPT: 18V~130V 15A Max 2100W Max
Cigarette Lighter Input	12V~15V 8.5A Max

General Info

Battery Capacity	4608Wh (51.2V/90Ah)
Battery Type	LiFePO4
Working Temperature	32°F~104°F (0°C~40°C)
Storage Temperature	-4°F~140°F (-20°C~60°C)
Dimension	Approx. 26.34*16.24*16.81in (669.1*412.52*426.96mm)
Net Weight	Approx. 108.69lb(49.3kg)

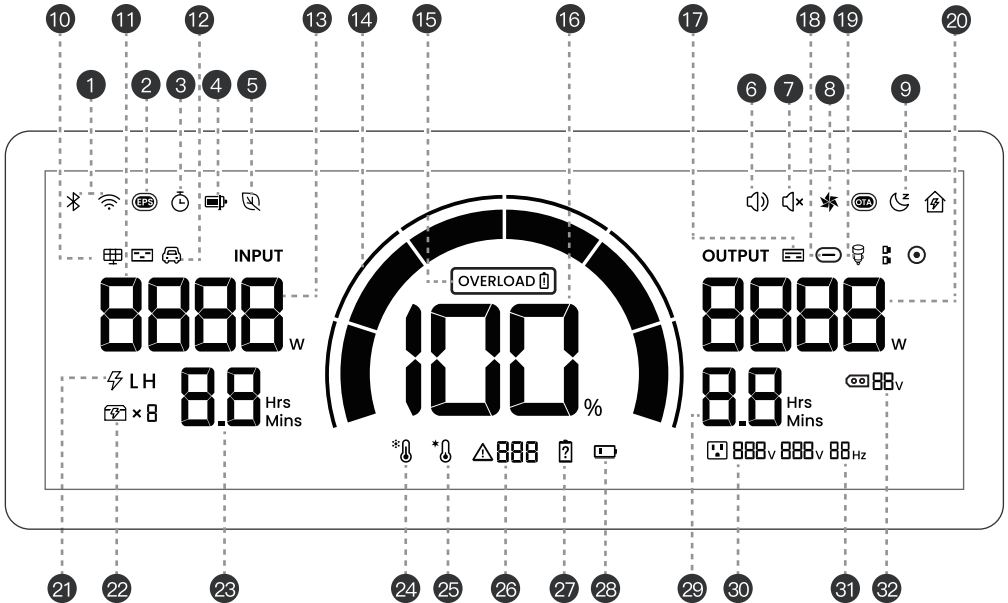
Product Description

⚡ Overview



Product Description

⚡ LCD Screen



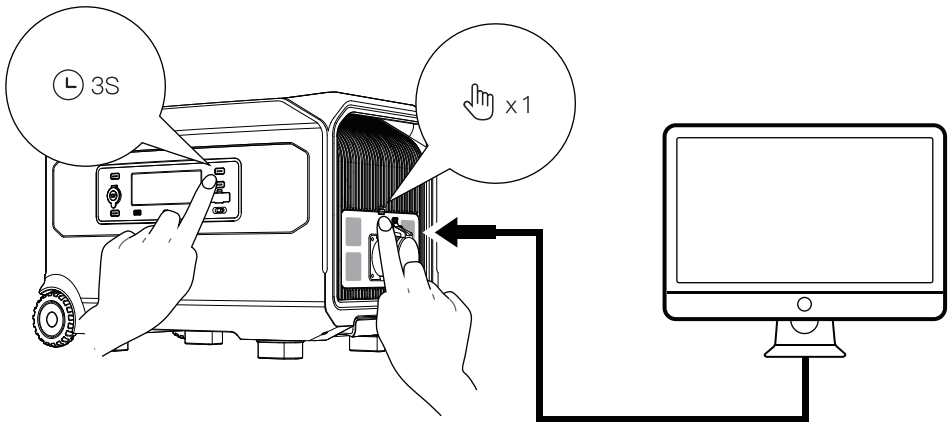
1.		Bluetooth&WiFi	12.		Car Input	23.		Charge Time Left
2.		EPS	13.	INPUT	Input Power	24.		High Temp
3.		TOU	14.		BAT Arc	25.		Low Temp
4.		Charge-Discharge Limit	15.	OVERLOAD	Output Overload	26.		Error Code
5.		Backup Power	16.		BAT Percentage	27.		BAT Error
6.		Sound	17.		USB-A Output	28.		Low BAT
7.		Mute	18.		USB-C Output	29.		Runtime
8.		Fan	19.		Cigarette Lighter	30.		AC Output Volt
9.		Night Mode	20.	OUTPUT	Output Power	31.		AC Output Frequency
10.		Solar Input	21.		Fast&Slow Charge	32.		XT90 Output Volt
11.		AC Input	22.		Extra BAT QTY			

Notice: Unlabeled Icons are unsupported in this model.

Instructions for Use

Power Your Loads

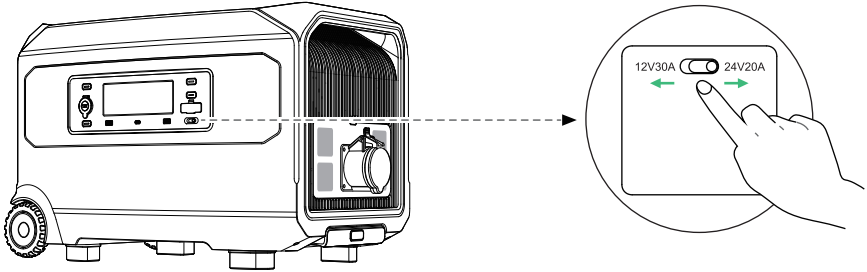
- 1 Press and hold the main power button 3 seconds to turn on the main power.
- 2 Short press AC/DC output power button to turn on AC/DC output power.
- 3 Connect your loads to the power station and start powering.
- 4 Disconnect your loads and press AC/DC output power button to turn off the AC/DC power after using.
- 5 Press and hold the main power button for 3 seconds to turn off the power station completely.



Instructions for Use

XT90 Output 12V/24V Slide Switch

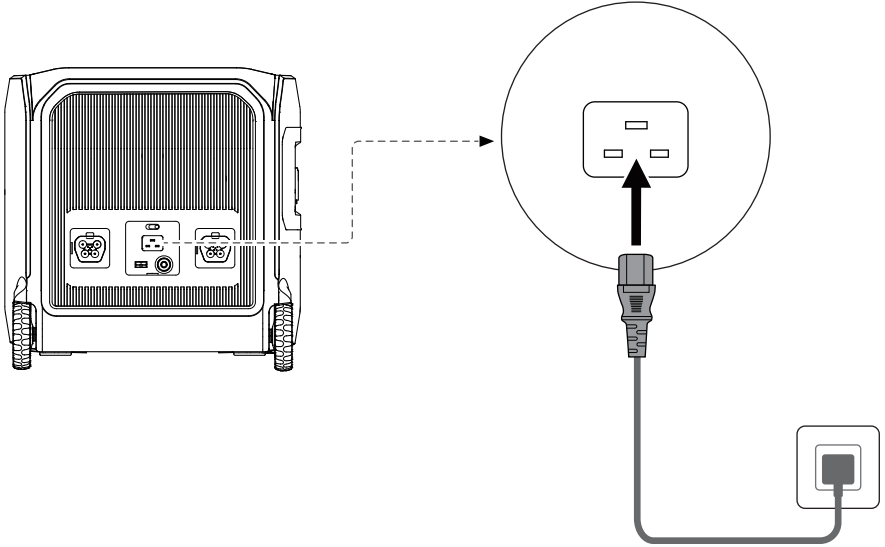
- 1 Slide the switch left to enable 12V30A output.
- 2 Slide the switch right to enable 24V20A output.
- 3 When the main power is on, short press XT90 output power button to turn XT90 output power on.
- 4 When XT90 output power is on, voltage can not be switched.



Recharge Methods

⚡ AC Charging

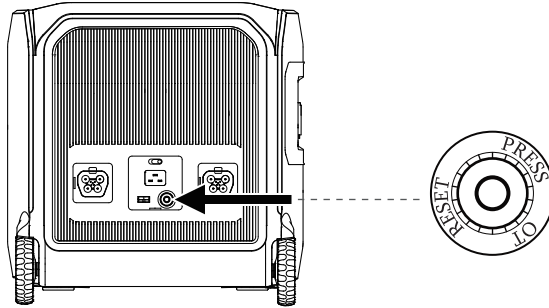
Use AC charging cable to connect the power station to an AC wall outlet.



Recharge Methods

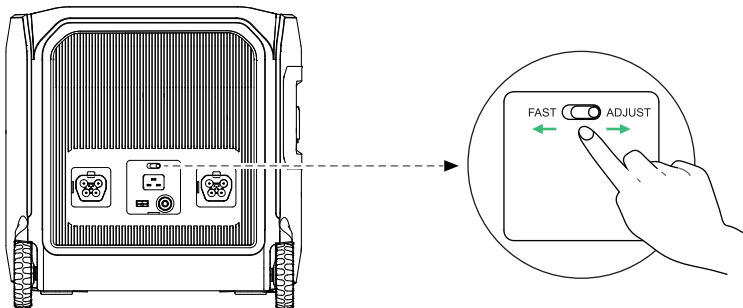
AC Input Over Current Protection

- 1 If AC input exceeds 25A, the protector will pop out.
- 2 Please disconnect all the connections for safety reason, and ensure that the input current is below 25A. Then, press the protector button to resume charging.



AC Input Speed Switch

- 1 Do not adjust charging speed when charging the power station.
- 2 Slide the switch left to enable maximum charging speed.
- 3 Slide the switch right, the charging speed will back to the default value, which can be adjusted on the APP.

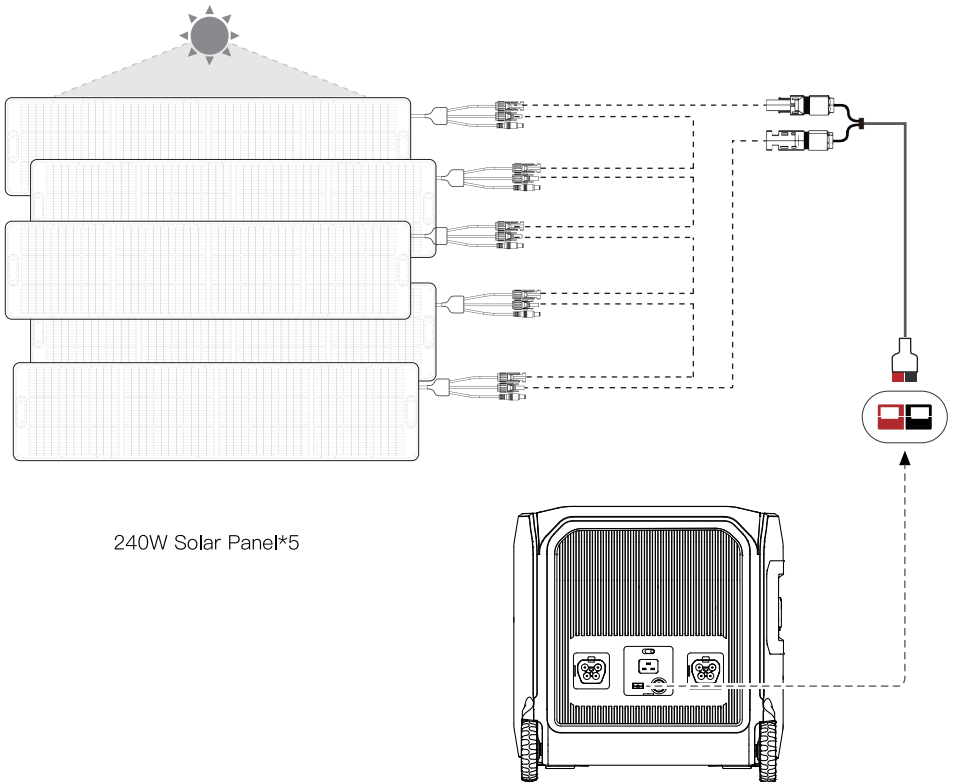


Notice: Slow charging recommended. Fast charge only if required.

Recharge Methods

⚡ Solar Charging

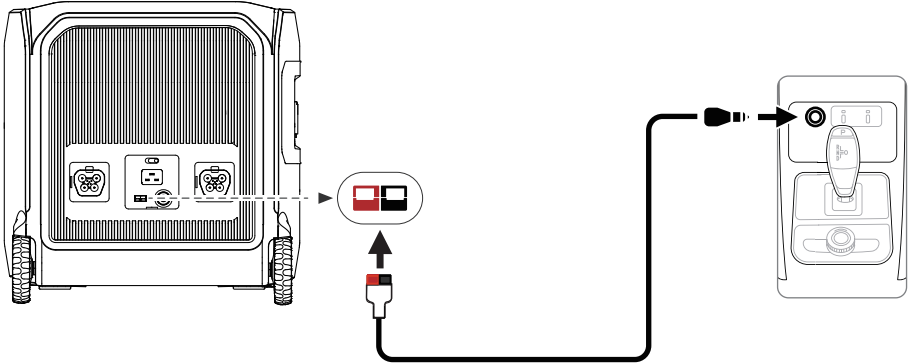
- 1 Use MC4 to Anderson charging cable to connect solar panels to the power station.
- 2 Connect 5*240W solar panels at most in series to get maximum power.
- 3 Make sure the solar panels meet the following requirements:
OCV: 140V; Current: 15A; Max Power: 2100W



Recharge Methods

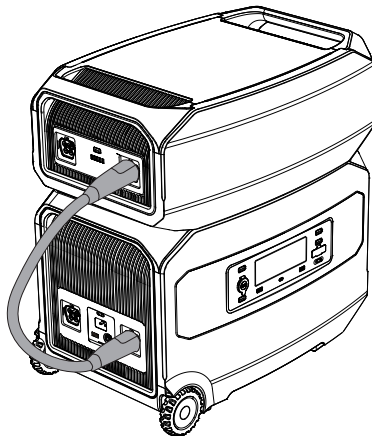
⚡ Cigarette Lighter Charging

- 1 The cigarette lighter port supports 12V~15V, 8.5A car charging input.
- 2 Start the car first, then connect the cable and cigarette lighter. Make sure they're in good connection.



⚡ Extra Battery Charging

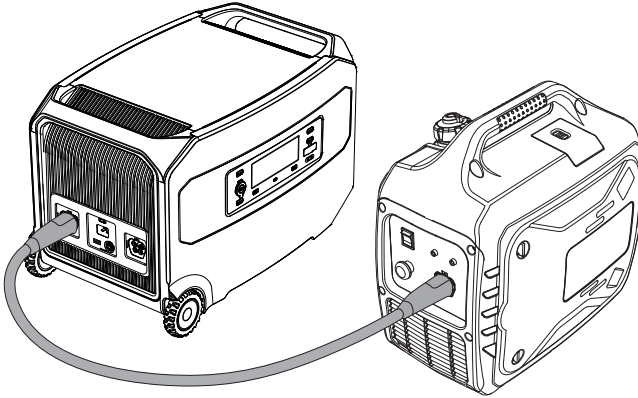
- 1 Turn off the power station and the extra battery before connecting or disconnecting them.
- 2 Use battery expansion cable to connect the extra battery to the power station.



Recharge Methods

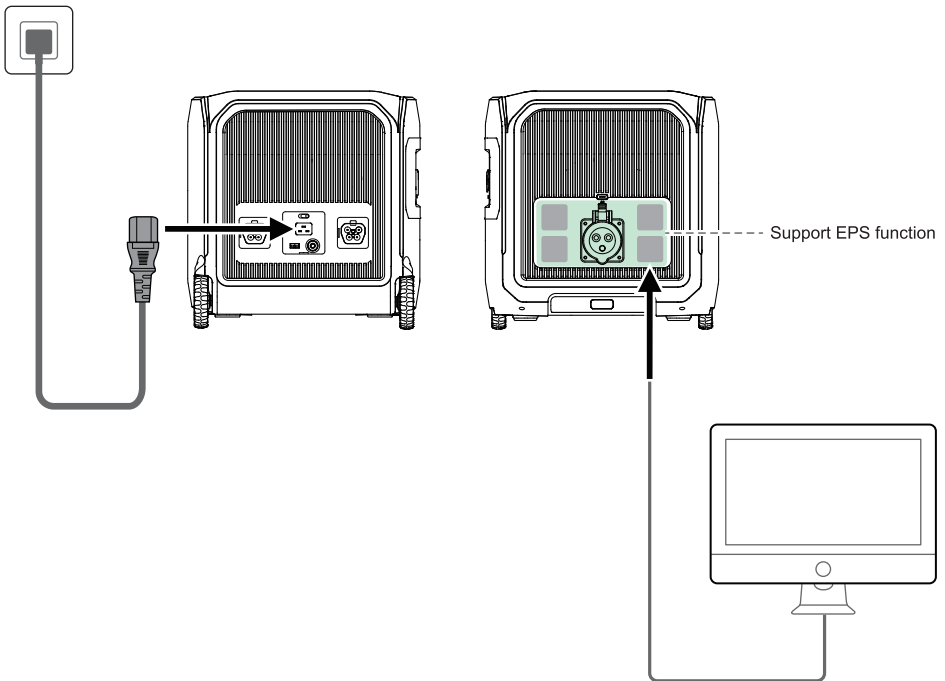
⚡ Gasoline Inverter Generator Charging

- 1 Turn off the power station and the generator before connecting or disconnecting them.
- 2 Use battery expansion cable to connect the generator and the power station, and refer to the generator's user manual before using the generator.
- 3 When detecting the power station only have 20% capacity left, the generator will starting charging the power automatically; And it will stop charging when the power station is charged to 90%.





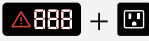

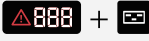







EPS(Emergency Power Supply)

- 1 EPS function is enabled by default with a 20ms switching when grid power is cut off.
- 2 Charge the power station from power grid and connect the device to AC output port as shown in the picture, then press AC output power button on.
- 3 Please do not connect the power station to equipment requiring 0ms uninterrupted power supply. Please test and make sure the device is compatible with EPS function.
- 4 The total input and output power should be below 3600W. Otherwise, the power station will shut down in 1 minute.

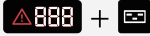

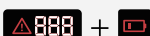
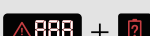


Notice: EPS function only takes effect when input voltage is 185V~250V.

Error Code & Trouble Shooting

Error Code	Status	Cause	Solution
E00	 flashing, no output	Short circuit of AC output	Press the AC output power button to restore.
E01	 flashing, no output	Overload of AC output	Press the AC output power button to restore.
E02	 flashing, no output	Battery voltage of inverter input is low	Charge the device in time and restart the corresponding function button to restore.
E03	 flashing, no output	Over voltage and under voltage of AC output	Press the AC output power button to restore.
E04	 flashing, no input	Abnormal AC input frequency	Automatically restores after frequency returning to normal.
E05	 flashing, no output	High and low bus voltage	Press the AC output power button to restore.
E06	 flashing, no output	Over temperature of Inverter	Turn off output power and rest the device to restore.
E08	 flashing, no output	Overload and short circuit of DC 12V port	Press the XT 90 output power button to restore.
E09	 flashing, no output	Overload and short circuit of DC 24V port	Press the XT 90 output power button to restore.
E10	 flashing, no output	Overload and short circuit of the cigarette lighter output port	Press the DC output power button to restore.
E11	 flashing, no output	Overload and short circuit of the USB-A port	Press the DC output power button to restore
E12	 flashing, no output	Overload of the USB-C port	press the DC output button to restore.

Error Code & Trouble Shooting

Error Code	Status	Cause	Solution
E15	 flashing, no output	Over temperature of XT90 output when solar charging is on	Press the XT90 output power button to restore
E17	 flashing, no output	Inverter hardware is abnormal	Turn on AC power again after turning off main power for 5 minutes.
	 flashing, no output	PV board NTC is abnormal	Restart the power station
E18	 flashing, no input	High voltage and low voltage of AC input	The device will automatically return to normal when the AC input voltage returns to normal.
E21	 flashing	Over voltage of single battery cell	Stop charging and discharge until the battery voltage returns to normal.
E22	 flashing, no output	Low Voltage of single battery cell.	Charge the device until the voltage returns to normal.
E23	 flashing	Battery total voltage is too high	Stop charging and start discharging until the battery voltage returns to normal.
E24	 flashing, no output	Battery total voltage is too low	Charge the device until the voltage returns to normal.
E25	 flashing, no output	High temperature of battery	The device will automatically return to normal when the temperature returns to normal.
E26	 flashing, no output	Low temperature of battery	The device will automatically return to normal when the temperature returns to normal.
E28	 flashing, no input	Charge over temperature	Charge the device after the temperature returning to normal.
E29	 flashing, no input	Over temperature of MOS	Turning on input power after the temperature returning to normal.

If the issue persists, contact support.

1.How to clean the product?

Please use a dry, soft, clean cloth or paper towel to gently wipe the product.

2.How to store the product?

Store it in a dry, well-ventilated place at room temperature. The recommended storage temperature is $-4^{\circ}\text{F}\sim 140^{\circ}\text{F}$ ($-20^{\circ}\text{C}\sim 60^{\circ}\text{C}$) and keep it away from water resources, heat resources, metal objects and chemical substances.

3.How to maintain the product?

- (1) Charge it to around 60% capacity and turn off the product before storing it.
- (2) For long-term storage, it is recommended to fully discharge and then fully charge the battery(0%–100%) once every 3 months.
- (3) And the warranty will be voided if the product has not been charged or discharged in 6 months.
- (4) It is recommended to operate the output power at 80% of the rated power.

4.Can this product be charged using a gasoline or diesel generator?

Yes, it can be charged with a generator that has a built-in pure sine wave inverter. The company will not be responsible for any product damage caused by using a generator without this feature.

5.Can this product be brought on board a plane?

No, this product cannot be brought on board a plane due to aviation regulations for lithium-based batteries.

6.How to place the product?

It is advised to place the product horizontally.

